

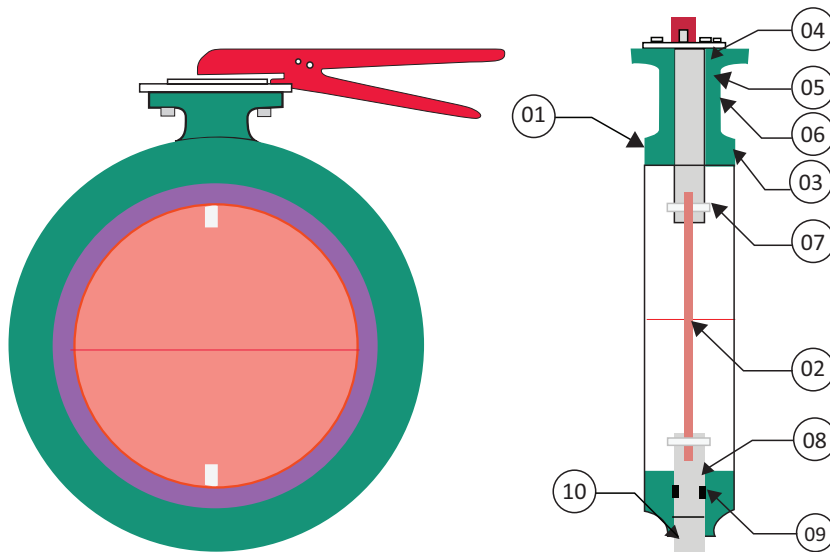
Wafer Type Damper Valve

Damper Butterfly Valves are suitable for application where the leakage is not all important. Damper Butterfly Valve also the best option for isolating damper for flue-gas scrubbers. FlowBiz Damper Butterfly Valves are lightweight, easy, rapidly actuated, and often relatively low in cost. The drive for a butterfly damper is also simple, requiring only 90° of motion.

Size Range : 1½ inch to 20 inch

TEST PRESSURE		
TESTING	BODY	SEAT
HYDRAULIC	10KG/CM ²	5% Leakage

PRESSURE / TEMPERATURE	
PRESSURE RATING	PN6 (MAXIMUM)
OPERATING TEMPERATURE RANGE	-25 °C TO 400 °C (DEPENDING ON MOC) UPTO 600 °C



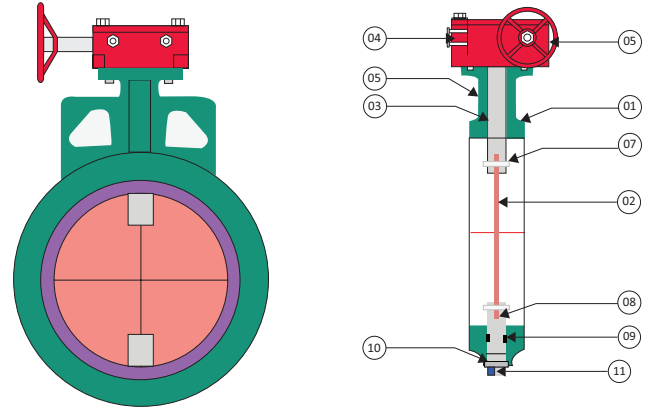
Size : Up to 1½ inch to 8 inch

HAND LEVER OPERATED

No.	Description	Material	Qty.
1	Body	Grey iron / C.S. / D.I. / CF8 / CF8M	01
2	Disc	C.S. / WCB / CF8 / CF8M	01
3	Shaft	AISI 410 / AISI 304 / AISI 316 / AISI 316L	01
4	Teflon Bush	Teflon	01
5	Graphoile Ring	Graphite	01
6	Bering Bush	Metal Bush PTFE Coated	01
7	Nut & Bolt	S.S. 202 / S.S. 304	02
8	Bottom Shaft	AISI 410 / AISI 304 / AISI 316 / AISI 316L	01
9	Graphoile Ring	Graphite	01
10	Dowel Pin	IS 2062 Gr. B	01



No.	Description	Material	Qty.
1	Body	Grey iron / C.S. / D.I. / CF8 / CF8M	01
2	Disc	C.S. / WCB / CF8 / CF8M	01
3	Shaft	AISI 410 / AISI 304 / AISI 316 / AISI 316L	01
4	Teflon Bush	Teflon	01
5	Graphoile Ring	Graphite	01
6	Bering Bush	Metal Bush PTFE Coated	01
7	Nut & Bolt	S.S. 202 / S.S. 304	02
8	Bottom Shaft	AISI 410 / AISI 304 / AISI 316 / AISI 316L	01
9	Graphoile Ring	Graphite	01
10	Dowel Pin	IS 2062 Gr. B	01
11	Bottom Cover	IS 2062 Gr. B	01



Size : Up to 10 inch to 20 inch
GEAR OPERATED

Dimension : (All Dimensions are in mm)							
Valve Model	Valve Size		Port	A	B	C	øD
	MM	Inch					
FB-Wafer-DP-40	40	1 1/2"	40	55.5	81.5	33.5	85
FB-Wafer-DP-50	50	2"	50	60.5	100	43.5	80
FB-Wafer-DP-65	65	2 1/2"	65	68	107.5	46	102
FB-Wafer-DP-80	80	3"	80	75.5	115	46	125
FB-Wafer-DP-100	100	4"	100	85.5	125	52	139
FB-Wafer-DP-125	125	5"	125	108.5	167.5	56	168
FB-Wafer-DP-150	150	6"	150	121	180	56	204
FB-Wafer-DP-200	200	8"	200	146	205	60	252
FB-Wafer-DP-250	250	10"	245	221	271	68	316
FB-Wafer-DP-300	300	12"	295	252	296	78	362
FB-Wafer-DP-350	350	14"	340	271	312	78	410
FB-Wafer-DP-400	400	16"	388	300	365	102	470
FB-Wafer-DP-450	450	18"	450	332	368	90	540
FB-Wafer-DP-500	500	20"	490	377	420	90	622

