

MS FABRICATED DOUBLE FLANGE BUTTERFLY VALVE

FlowBiz Brand MS Fabricated Butterfly Valves are made with state of the art engineering for multiple ON/OFF operations in bigger pipeline & full flow downstream. FlowBiz Fabricated Butterfly valves are best suitable for Power plants, Distillery, Paper and Pulp Industry, Sugar Industry, HVAC, Water treatment plants, Construction Industry, Chemical and Pharmaceutical Industries.

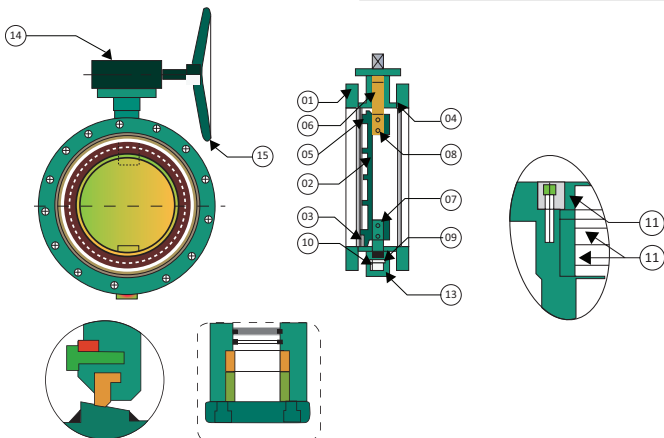
Size Range : 50 inch to 104 inch (1250mm to 2600mm)

Standard

| | |
|---|--------------------------------|
| Design and Manufacturing | : AWWA C - 504 |
| Valve Face to Face Dimensions Upto 72" | : AWWA C - 504 |
| Valve Face to Face Dimensions Upto 72" | : As Per Manufacturer Standard |
| Flange Standard Conformity | : AWWA C - 207 Class "D" |
| Inspection & Testing | : AWWA C - 504 |
| Rating | : PN 6 / PN 10 |



| Pressure / Temperature Rating | | Pressure / Temperature Rating | | |
|-------------------------------|---------|-------------------------------|------------------------|-------------------------|
| Pressure Rating | PN 10 | Testing | Body | Seat |
| Operating Temperature | 180 ° C | Hydraulic | 16 Kg / Cm2 | 10 Kg / Cm ² |
| | | Pneumatic | 7 Kg / Cm ² | |



| No. | Description | Material |
|-----|----------------|---|
| 1 | Body | IS2062 Gr. B M.S |
| 2 | Disc | IS2062 Gr. B M.S |
| 3 | Retainer | IS2062 Gr.B / ASTM A -240 S.S. 304 / 316 |
| 4 | Body Seat Ring | ASTM A - 479 Type 304 / 316 |
| 5 | Disc Seal Ring | EPDM / NBR / Viton |
| 6 | Shaft | ASTM A - 479 Type 410 / 304 / 316 |
| 7 | Stem Shaft | ASTM A - 479 Type 410 / 304 / 316 |
| 8 | Disc Pin | ASTM A - 479 Type 410 / 304 / 316 |
| 9 | Bearing | Double Thrust Bearing |
| 10 | Gland Bush | Bronze |
| 11 | Seal Set | EPDM / NBR / Viton |
| 12 | Gland Plate | M.S. |
| 13 | Stem Plate | IS 2062 Gr. B |
| 14 | Gear | Standard |
| 15 | Wheel | M.S. |

| Dimension : (All Dimensions are in mm) | | | | | | | | |
|--|------------|------|-----|--------|-------|-------|----|---------|
| Valve Model | Valve Size | | L | øD | b | øJ | N | K : PCD |
| | MM | Inch | | | | | | |
| FB-OBV - 1250 | 1250 | 50" | 381 | 1568.5 | 51.00 | 44.45 | 44 | 1479.6 |
| FB-OBV - 1300 | 1300 | 52" | 381 | 1626.0 | 51.00 | 44.45 | 44 | 1536.7 |
| FB-OBV - 1350 | 1350 | 54" | 381 | 1682.8 | 54.00 | 44.45 | 44 | 1593.8 |
| FB-OBV - 1400 | 1400 | 56" | 381 | 1770.0 | 57.15 | 44.45 | 52 | 1670.0 |
| FB-OBV - 1500 | 1500 | 60" | 381 | 1854.2 | 57.15 | 44.45 | 52 | 1758.95 |
| FB-OBV - 1600 | 1600 | 64" | 381 | 1915.0 | 60.00 | 44.45 | 52 | 1820.0 |
| FB-OBV - 1650 | 1650 | 66" | 457 | 2032.0 | 63.5 | 44.45 | 52 | 1930.4 |
| FB-OBV - 1800 | 1800 | 72" | 457 | 2197.1 | 66.5 | 44.45 | 60 | 2095.5 |
| FB-OBV - 1950 | 1950 | 78" | 760 | 2362.2 | 69.9 | 50.8 | 64 | 2260.6 |
| FB-OBV - 2000 | 2000 | 80" | 760 | 2449.0 | 70.00 | 50.8 | 64 | 2342.0 |
| FB-OBV - 2100 | 2100 | 84" | 830 | 2533.7 | 73.00 | 50.8 | 64 | 2425.7 |
| FB-OBV - 2200 | 2200 | 88" | 830 | 2800.0 | 77.00 | 50.8 | 68 | 2673.5 |
| FB-OBV - 2400 | 2400 | 96" | 910 | 2876.6 | 82.6 | 50.8 | 68 | 2755.9 |
| FB-OBV - 2500 | 2500 | 100" | 990 | 3048.0 | 82.6 | 63.5 | 72 | 2908.3 |
| FB-OBV - 2600 | 2600 | 104" | 990 | 3138.0 | 86.00 | 63.5 | 72 | 2994 |

